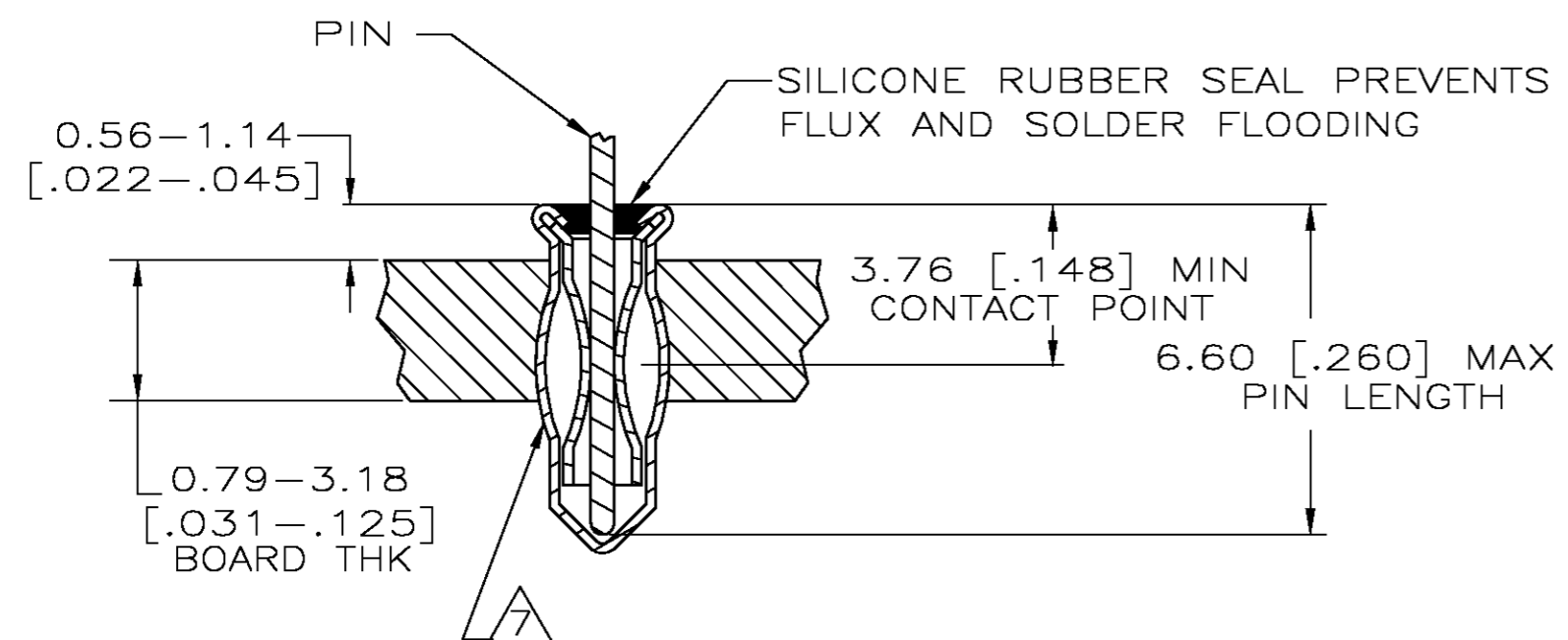
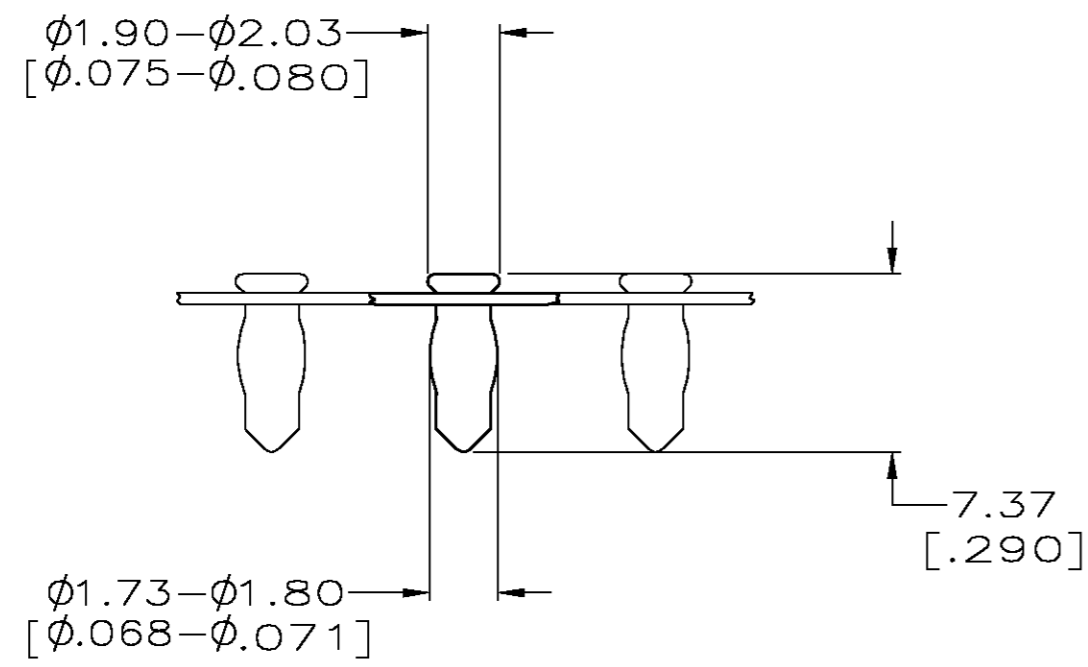
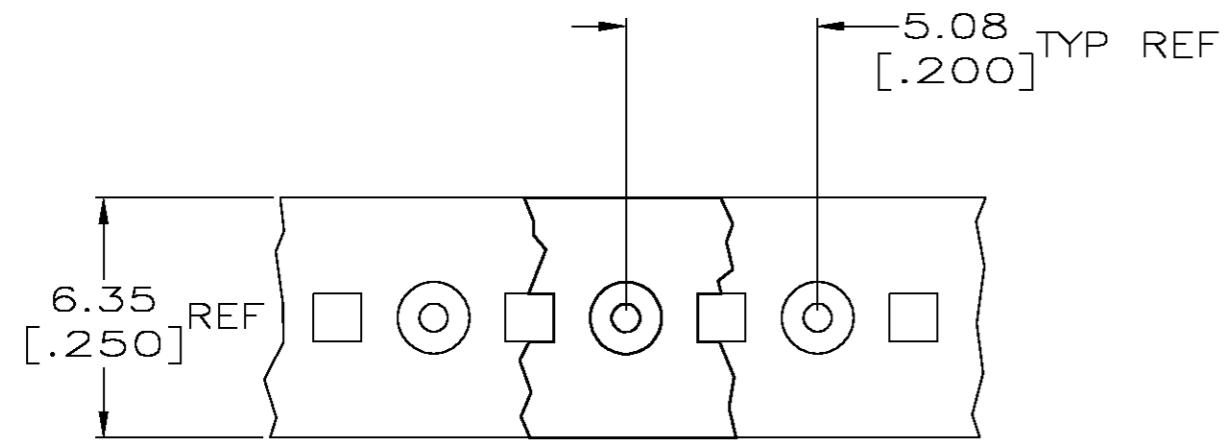


THIS DRAWING IS UNPUBLISHED. RELEASED FOR PUBLICATION
 © COPYRIGHT BY TYCO ELECTRONICS CORPORATION. ALL RIGHTS RESERVED.

LOC		DIST		REVISIONS			
GP	00	P	LTR	DESCRIPTION	DATE	DWN	APVD
		E		REVISED PER OS11-0088-03	6-4-03	JB	KK



- ① MATERIAL:
 EYELET - COPPER (QQ-C-576)
 SPRING - BERYLLIUM COPPER (QQ-C-533)
 SEALANT - SILICONE RUBBER
- ② TIN PLATE (MIL-T-10727)0.00381 [.000150] MIN THK.
- ③ TIN PLATE(MIL-T-10727)0.00254 [.000100] MIN THK.
- ④ GOLD PL(MIL-G-45204)0.00076 [.000030] MIN THK ON CONTACT AREA.
- ⑤ PACKAGED 50,000 PER REEL
- ⑥ TO INSURE 1/2 OZ MIN RETENTION DO NOT EXCEED 0.10 [.004] DIFFERENCE IN PIN DIA WHEN CHANGING TO A SMALLER DIA PIN
- ⑦ PRODUCT IS OVALIZED FOR RETENTION IN THE P.C. BOARD. THE RECOMMENDED HOLE DIAMETER IS $\phi 1.57$ [$\phi 0.062$] MINIMUM, +0.08 [.003] MAX. PRIOR TO SOLDERING.
- ⑧ PACKAGED 10,000 PER REEL
- ⑨ TIN PER ASTM B 545, 0.00254 [.000100] MIN THK.

3.76-6.60 [.148-.260]	$\phi 0.71 - \phi 0.84$ [$\phi 0.028 - \phi 0.033$]	TIN ⑨	TIN ⑨	⑧ 6-645986-1
3.76-6.60 [.148-.260]	$\phi 0.71 - \phi 0.84$ [$\phi 0.028 - \phi 0.033$]	GOLD ④	TIN ②	⑧ 1-645986-2
3.76-6.60 [.148-.260]	$\phi 0.71 - \phi 0.84$ [$\phi 0.028 - \phi 0.033$]	TIN ③	TIN ②	⑧ 1-645986-1
3.76-6.60 [.148-.260]	$\phi 0.71 - \phi 0.84$ [$\phi 0.028 - \phi 0.033$]	GOLD ④	TIN ②	⑤ 645986-2
3.76-6.60 [.148-.260]	$\phi 0.71 - \phi 0.84$ [$\phi 0.028 - \phi 0.033$]	TIN ③	TIN ②	⑤ 645986-1
LENGTH	DIA ⑥	EYELET	SPRING	PART NO.
PIN		FINISH		

THIS DRAWING IS A CONTROLLED DOCUMENT.

DWN: D.HOLLINGSWORTH 1-24-85
 CHK: P.MUTZABAUGH 3-4-85

tyco Electronics Tyco Electronics Corporation

MINIATURE SPRING SOCKET ASSY
 SERIES 3
 WITH SEALANT

SIZE: A2 CAGE CODE: 00779 DRAWING NO: C=645986 RESTRICTED TO: -

SCALE: 10:1 SHEET: 1 OF 1 REV: E

DIMENSIONS: INCHES TOLERANCES UNLESS OTHERWISE SPECIFIED:
 0 PLC ± -
 1 PLC ± -
 2 PLC ± -
 3 PLC ± 0.20[.008]
 4 PLC ± -
 ANGLES ± -
 FINISH SEE TABLE

CUSTOMER DRAWING